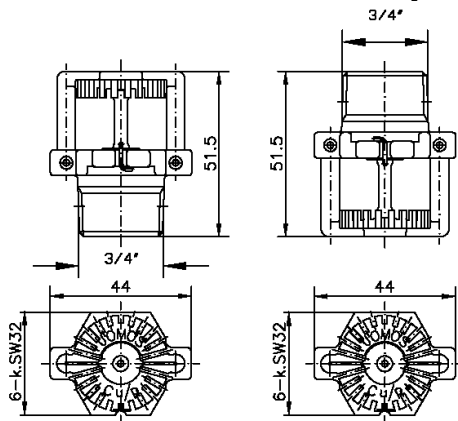
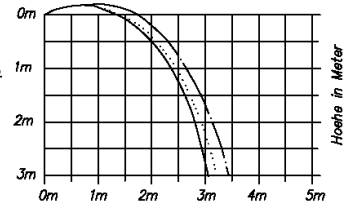


Conventional Sprinkler DN20- K115, Type: JCC



Sprühradien
JCCu/p
stehend/hängend montiert
K=115

— 0,5 bar
- - - 1,0 bar
- · - 3,0 bar



Technical Dates

Spray characteristics	Conventional Sprinkler C/up, pendent / upright
Responsivity	Quick- Response RTI- 035 Standard- Response RTI- 055 Normal- Response RTI- 105
Max. working pressure	PS 12.5
Min. working pressure	min. 0.35 bar
Temperature range	57°C, 68°C, 79°C, 93°C, 141°C, 182°C, 260°C
K- Factor	K115

Material / Coatings

Sprinklerbody /Deflector	roh = Brass gc = Chrome plated / Ral = colour coated
Button	Brass
Sealing Assembly	Stainless steel / Teflon
Bulb	Borosilikatglass
Pins	Stainless steel

General Instruktionen

Do not install any bulb type sprinkler if the bulb is cracked or is a loss of liquid from the bulb. With the sprinkler held horizontally, a small air bubble should be present. The diameter of the air bubble is approximately 1,6mm for the 57° to 2,4mm for the 182° temperature ratings. A leak-tight 3/4 " NPT sprinkler joint should be obtained by applying a minimum to maximum torque of 10 to 14 Nm. Higher levels of torque may distort the sprinkler inlet and cause leakage or impairment of the sprinkler.

Installation Instruction

- Sprinkler may only installed by trained personal.
- Install sprinklers only with the special wrench foreseen for each sprinkler type.
- Install sprinklers only in fully installed and fixed pipe work.
- The threads (fitting / socket) must be clean, free of grease and burrs.

Never install a sprinkler that has had their packaging damaged.

Never install a sprinkler that has been dropped or has suffered any impact.

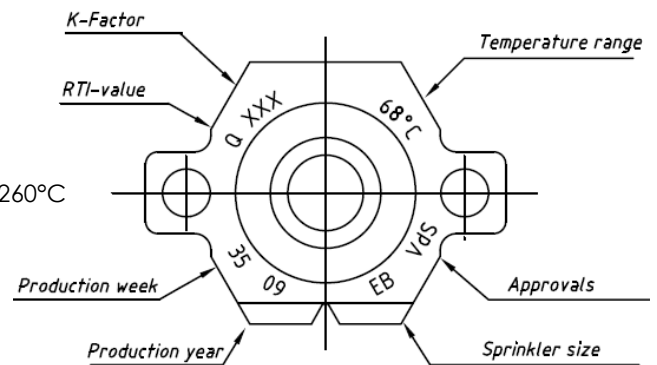
Always to align sprinklers turn clockwise only. Alignment on the opposite side can create leakage.

Warning

- Sprinklers containing in the original packing have been manufactured and tested according the requirements of the sprinkler authorities.
- Any modification to the sprinkler in the form of painting, warp of deflector, will seriously affect the operation. This will lead to withdraw of insurances approval and any guarantee to JOMOS EuroSprinkler AG
- Sprinklers (brass and chrome plated) may only install in normal atmosphere. For areas with aggressive, corrosive atmosphere ore in case of leakage current, use sprinklers with special coating or stainless steel sprinklers.

Sprinkler marking

RTI- value	Q = RTI- 035, S = RTI- 055, N = RTI- 105
Week of manufacturing	35 = Week 35
Year of manufacturing	09 = Year 2009
Temperature range	57°C, 68°C , 79°C, 93°C, 141°C, 182°C, 260°C
Sprinkler size	EB = ½" K- 160, EC = ¾" K- 160
K- Factor	K- 57, K- 80, K- 115, K- 160
Certificated at	Vds
EC-Certificate of Conformity	CE



Bezeichnung	roh= Messing	mc= mattchrom	gc= glanzchrom	Ral = lackiert
JCC 3/4" 57°C RTI- 035	Art. Nr. 817 000	Art. Nr. 817 001	Art. Nr. 817 002	Art. Nr. 817 003
JCC 3/4" 68°C RTI- 035	Art. Nr. 817 010	Art. Nr. 817 011	Art. Nr. 817 012	Art. Nr. 817 013
JCC 3/4" 79°C RTI- 035	Art. Nr. 817 020	Art. Nr. 817 021	Art. Nr. 817 022	Art. Nr. 817 023
JCC 3/4" 93°C RTI- 035	Art. Nr. 817 030	Art. Nr. 817 031	Art. Nr. 817 032	Art. Nr. 817 033
JCC 3/4" 141°C RTI- 035	Art. Nr. 817 040	Art. Nr. 817 041	Art. Nr. 817 042	Art. Nr. 817 043
Vds- Nr. G 4970051				
JCC 3/4" 57°C RTI- 055	Art. Nr. 817 050	Art. Nr. 817 051	Art. Nr. 817 052	Art. Nr. 817 053
JCC 3/4" 68°C RTI- 055	Art. Nr. 817 060	Art. Nr. 817 061	Art. Nr. 817 062	Art. Nr. 817 063
JCC 3/4" 79°C RTI- 055	Art. Nr. 817 070	Art. Nr. 817 071	Art. Nr. 817 072	Art. Nr. 817 073
JCC 3/4" 93°C RTI- 055	Art. Nr. 817 080	Art. Nr. 817 081	Art. Nr. 817 082	Art. Nr. 817 083
JCC 3/4" 141°C RTI- 055	Art. Nr. 817 090	Art. Nr. 817 091	Art. Nr. 817 092	Art. Nr. 817 093
JCC 3/4" 182°C RTI- 055	Art. Nr. 817 095	Art. Nr. 817 096	Art. Nr. 817 097	Art. Nr. 817 098
JCC 3/4" 260°C RTI- 055	Art. Nr. 817 100	Art. Nr. 817 101	Art. Nr. 817 102	Art. Nr. 817 103
Vds- Nr. G 4970052				
JCC 3/4" 57°C RTI- 105	Art. Nr. 817 110	Art. Nr. 817 111	Art. Nr. 817 112	Art. Nr. 817 113
JCC 3/4" 68°C RTI- 105	Art. Nr. 817 120	Art. Nr. 817 121	Art. Nr. 817 122	Art. Nr. 817 123
JCC 3/4" 79°C RTI- 105	Art. Nr. 817 130	Art. Nr. 817 131	Art. Nr. 817 132	Art. Nr. 817 133
JCC 3/4" 93°C RTI- 105	Art. Nr. 817 140	Art. Nr. 817 141	Art. Nr. 817 142	Art. Nr. 817 143
JCC 3/4" 141°C RTI- 105	Art. Nr. 817 150	Art. Nr. 817 151	Art. Nr. 817 152	Art. Nr. 817 153
JCC 3/4" 182°C RTI- 105	Art. Nr. 817 160	Art. Nr. 817 161	Art. Nr. 817 162	Art. Nr. 817 163
JCC 3/4" 260°C RTI- 105	Art. Nr. 817 170	Art. Nr. 817 171	Art. Nr. 817 172	Art. Nr. 817 173
Vds- Nr. G 4970053				